

Ledin
— AUSTRALIA —

CERAMIC BASINS



Mini Anita Round Slimline Ceramic Above Counter Basin

Finish

Gloss White

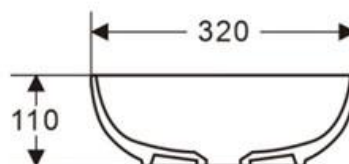
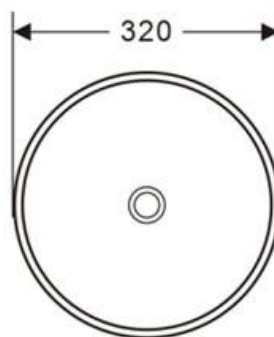
Dimensions

320 round x 110H

Warranty

5 Year Replacement Warranty

32mm Non overflow waste required



Anita Above Counter Basin

Finish

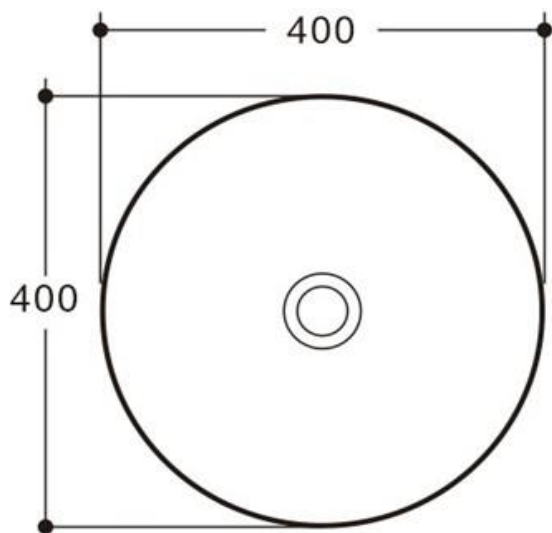
Gloss White

Dimensions

400 (round) x 110H

Warranty

- 5 Year Product Replacement Warranty
- 32mm Non overflow waste required



Mini Cruze Slim Ceramic Above counter Basin

Finish

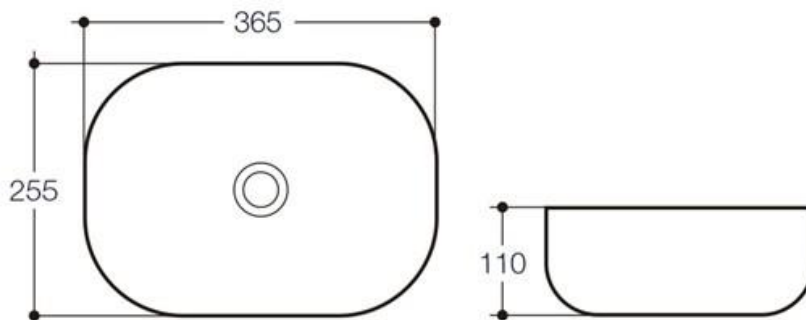
Gloss White

Dimensions

365W x 255D x 110H

Warranty

- 5 Year Product Replacement Warranty
- 32mm non-Overflow waste required



Cruze 460 Slim Ceramic above counter Basin

Finish

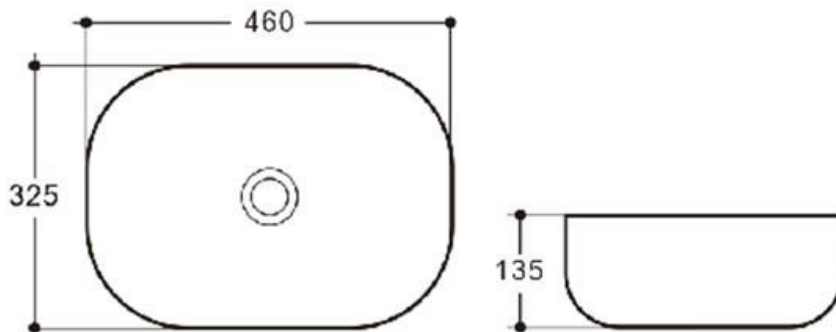
Gloss White

Dimensions

460W x 325D x 135H

Warranty

5 Year Product Replacement Warrant
32mm Non overflow waste required



Mini Erin Round 310mm Slim Ceramic above counter Basin

Finish

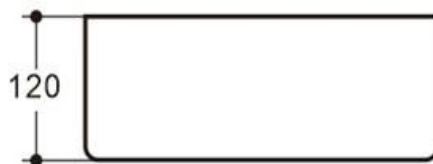
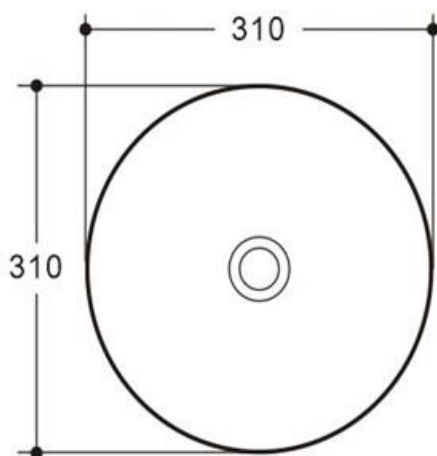
Gloss White

Dimensions

310ø x 120H

Warranty

- 5 Year Product Replacement Warranty
- 32mm Non overflow waste required



Ledin

AUSTRALIA

Erin Round 360mm Slim ceramic above counter basin

Finish

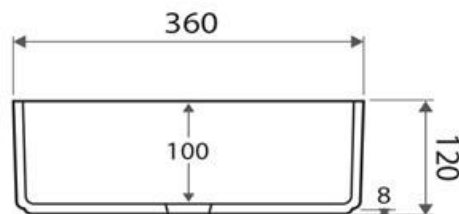
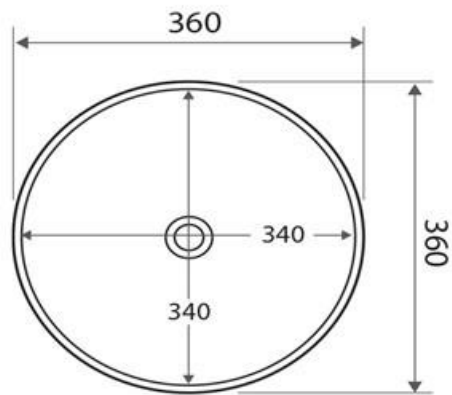
Gloss White

Dimensions

360Ø x 120H (round)

Warranty

- 5 Year Product Replacement Warranty
- 32mm Non overflow waste required



www.ledinaustralia.com.au

Emily Ceramic above counter basin

Finish

Gloss White

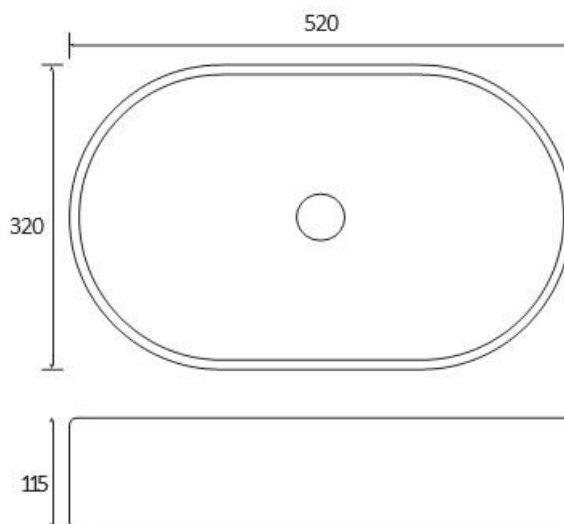
Dimensions

520W x 320D x 115H

Warranty

5 Year Replacement Warranty

32mm Non overflow waste required



Pye fluted Ceramic above counter basin

Finish

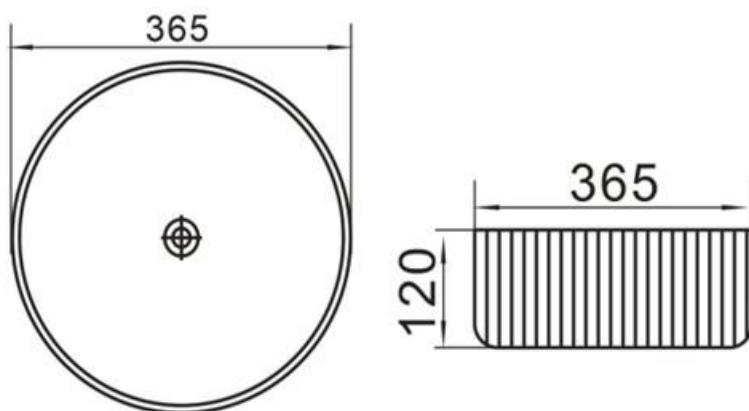
Gloss White

Dimensions

365 D x 120mm H

Warranty

- 5 Year Product Replacement Warranty
- 32mm non overflow waste required



Daria Ceramic Above Counter Basin

Finish

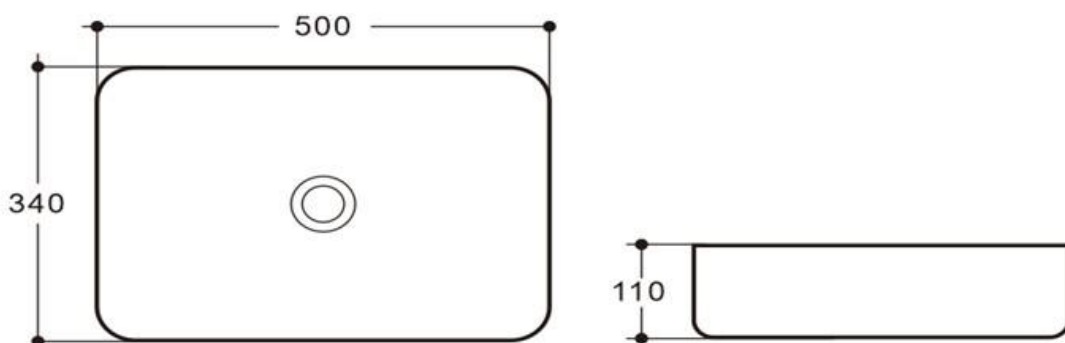
Gloss White

Dimensions

500W x 340D x 110H

Warranty

- 5 Year Product Replacement Warranty
- 32mm Non overflow waste required



Egg Ceramic above counter Basin

Finish

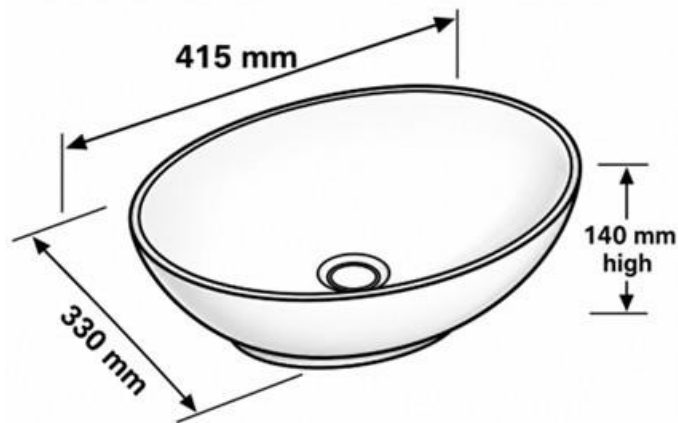
Gloss White

Dimensions

415 x 330 x 140H

Warranty

- 5 Year Product Replacement Warranty
- 32mm Non overflow waste required



Kona Ceramic above counter Basin with Tap landing

Finish

Gloss White

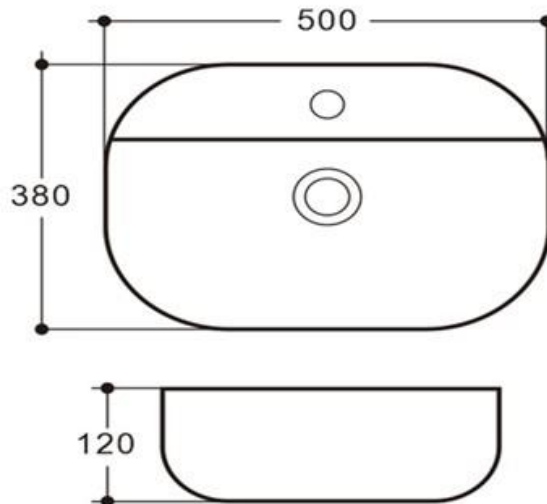
Dimensions

500W x 380D x 120H

Warranty

5 Year Product Replacement Warranty

32mm non overflow waste required



Bailey Semi Inset Ceramic Basin

Finish

Gloss White

Dimensions

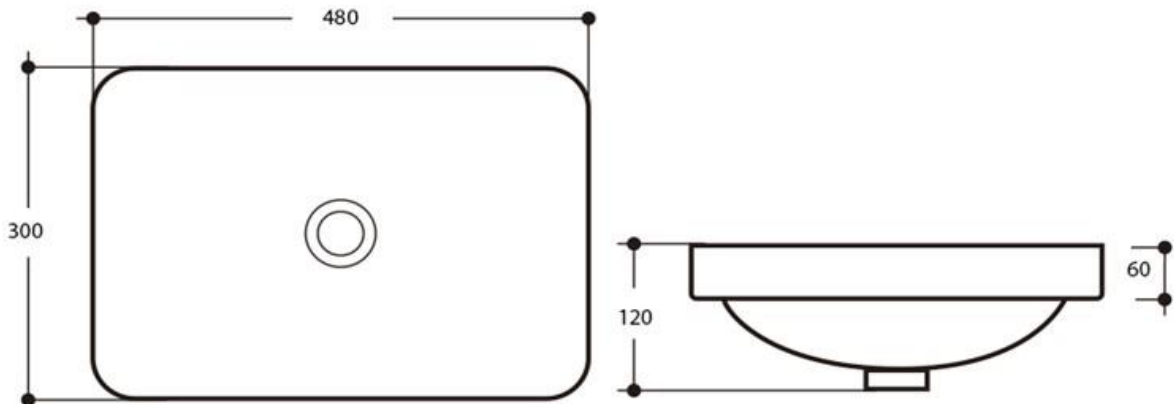
480W x 300D x 120H

Warranty

5 Year Product Replacement
Warranty



32mm Non overflow waste required



Ledin

AUSTRALIA

Viola Semi Inset Ceramic Basin

70mm Out of benchtop

Finish

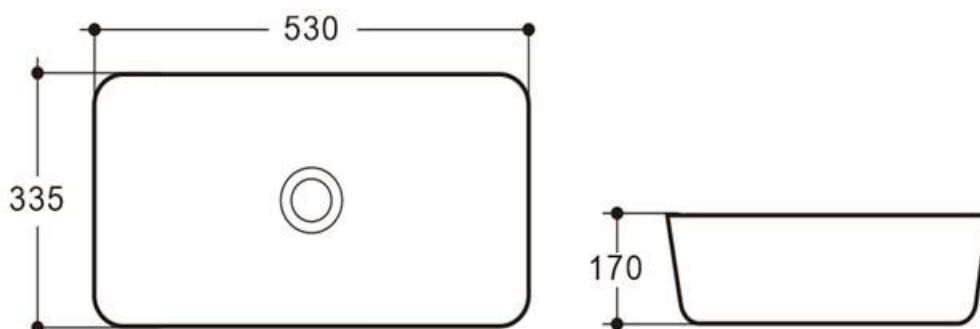
Gloss White

Dimensions

530W x 335D x 170H

Warranty

- 5 Year Product Replacement Warranty
- 32mm Non overflow waste required



www.ledinaustralia.com.au

Tatum Semi Inset Ceramic Basin

70mm out of benchtop

Finish

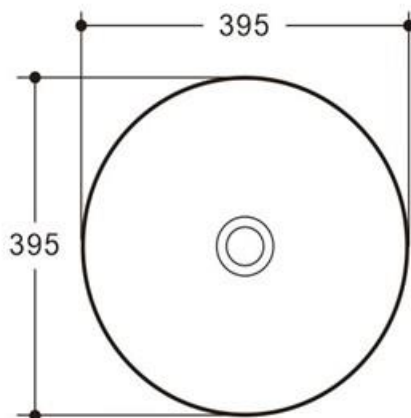
Gloss White

Dimensions

395Ø x 115H (round)

Warranty

- 5 Year Product Replacement Warranty
- 32mm Non overflow waste required





Warehouse and contact details

**Unit 11, 274 -276 Hoxton Park Rd Prestons NSW
All mail to P.O Box 364 Padstow NSW 2211
Fax: 02 858 289 81**

**Email: sales@ledinaustralia.com.au
Website: www.ledinaustralia.com.au**

Warranty information

Ledin Australia Pty Ltd warrants the products we distribute for the period of five years from the date of purchase. Ledin Australia Pty Ltd will at its discretion, pursuant to its obligations under the competition and consumers act 2010: repair or replace the defective product or parts.

ALL ITEMS MUST BE INSPECTED THOROUGHLY BEFORE INSTALLATION. FOR FAULTS OR DAMAGE. IF A FAULT IS FOUND IMMEDIATELY NOTIFY LEDIN AUSTRALIA OR YOUR PLACE OF PURCHASE. THE ITEM MUST NOT BE INSTALLED WITHOUT AUTHORITY FROM LEDIN AUSTRALIA PTY LTD. NO CLAIMS WILL BE ACCEPTED WITHOUT THIS AUTHORITY

This warranty does not cover damage by improper installation, neglect or misuse, improper care and maintenance, water damage and natural causes such as sunlight or excessive humidity. It should be noted that all cabinets are manufactured from water resistant materials but are **not waterproof**. All care must be taken immediately to dry any spillage of water that may gain entry to the cabinet. All claims for warranty should be reported to the original place of purchase with a copy of purchase receipt. Cabinets must not be affixed in by tiles, and cabinets must be installed in such a way that they can be removed if required without disturbing any tiles. Cabinets must be protected from water from baths and showers by protective screens. **CABINETS MUST BE SCREWED TO THE WALL**

Regulation 90 of the ACL 2010 states: Our goods come with guarantees that that cannot be excluded under the Australian consumer law. You are entitled to a replacement or refund for a major failure and for compensation for any other reasonably foreseeable loss or damage. You are also entitled to have the goods repaired or replaced if the goods fail to be of acceptable quality and the failure does not amount to a major failure.

LEDIN AUSTRALIA IS 100% AUSTRALIAN OWNED